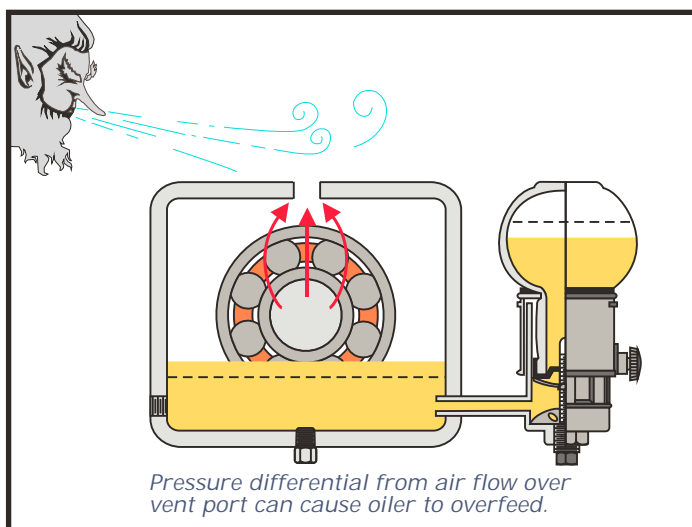
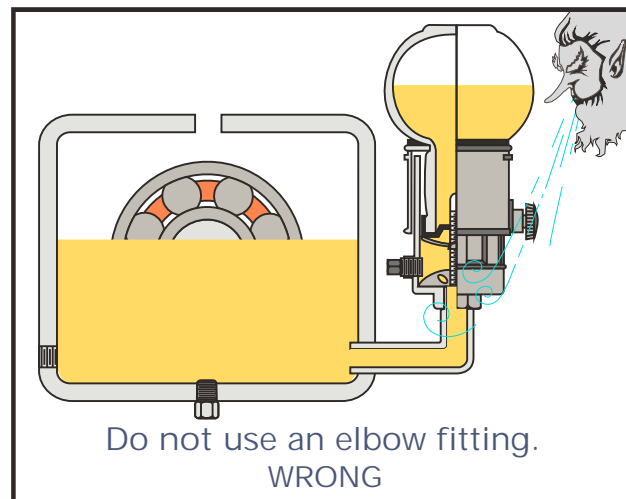
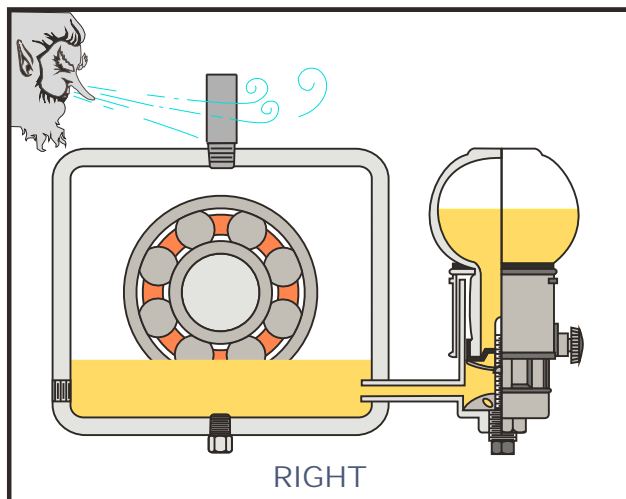


## Affects of air movement on Opto-Matic® oilers

When using a constant level oiler that is vented to outside atmosphere, it is important to keep the oiler and/or the breather vent out of any air flow that may be near the equipment. Sources of this air flow can be any type of fan, such as a blower fan, motor fan, etc. When these fans create an air flow, over either the breather vent or the oiler, it can cause an unequal air pressure between the bearing housing and the oiler. This can cause the oiler to misfeed.



To eliminate this problem, install an extension pipe nipple on either the breather vent or the oiler connection, depending on which one is in the air flow or replace the vented constant level oiler with a non-vented or "closed system" oiler. Closed system oilers consist of two types: the **Closed System Opto-Matic®** or the **Watchdog®**. The Closed System Opto-Matic® oilers are used in a similar manner as the vented Opto-Matic® oilers, however, the closed system requires a vent tube be connected from the lubricator to the bearing housing for pressure equalization. The Watchdog® oilers mount directly on to the bearing housing. This connection is made on the centerline of the desired



Note: When installing an extension pipe nipple on the vented oiler **do not use an elbow fitting** this will change the level of fluid in the bearing housing.



oil level, and is a nonadjustable oiler. There are two sizes of this type oiler in three different styles, high performance thermoplastic, metal body with thermoplastic reservoir, and metal body with glass reservoir. Part numbers are as follows:

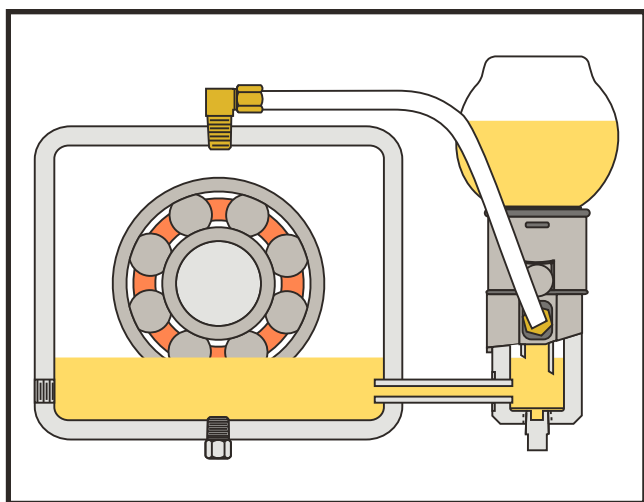
### **Closed System Opto-Matic® oilers**

30203	¼" NPT connection, 4 oz., glass reservoir
30205	¼" NPT connection, 8 oz., glass reservoir
30210	¼" NPT connection, 16 oz., glass reservoir

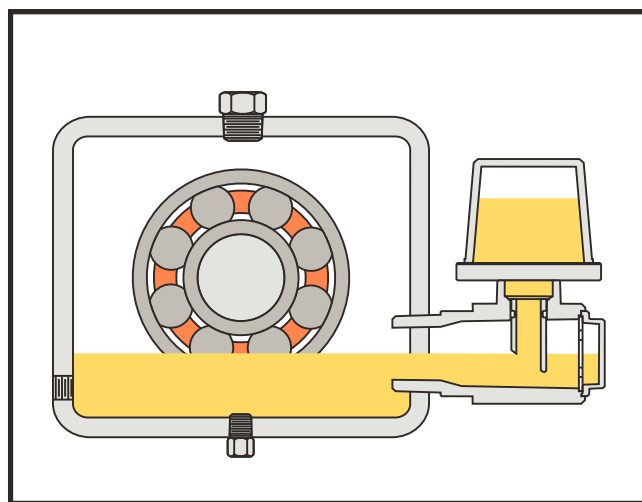
### **Watchdog® oilers**

31802	1" NPT connection, thermoplastic, 2 oz. capacity
31804	1" NPT connection, thermoplastic, 4 oz. capacity
31820	¾" NPT connection, metal/glass, 4 oz. capacity
31821	1" NPT connection, metal/glass, 4 oz. capacity

Wire guards are available for all closed system oilers with glass reservoirs.



*Closed System Opto-Matic®*



*Watchdog® Constant Level Oiler*

